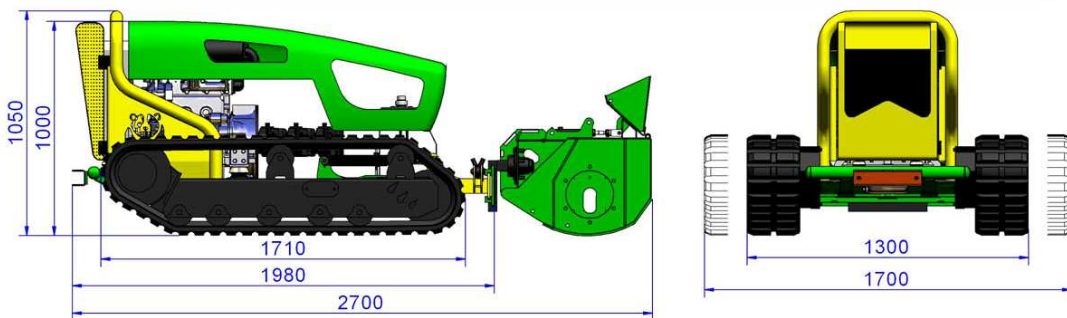


Technical Specifications



	BASIC	EXTRA
Net weight (kg)	900	1180
Max work gradient	oltre 60°	oltre 60°
Speed (km/h)	9	9
Engine power (kW/CV)	29 / 40	29 / 40
Torque Nm/rpm	103 / 1800	103 / 1800
Tank capacity (lt)	25	25
Type	4 cycle, inline, Diesel	
Engine cooling	liquid	liquid
Hydraulic oil capacity (lt)	47	47

CHARACTERISTICS CUTTING HEAD

Model	Work width	Total width	Weight	Quantity least oil	Speed maximum rotor	Work maximum pressure
	[mm]	[mm]	[kg]	[l/l']	[rpm/l']	[bar]
UT 125	1260	1460	227	60	3300	220
UT 130	1300	1460	118	46	3300	220

CONSTRUCTIVE CHARACTERISTICS NOT BINDING

DI BIASE **MIDB** S.R.L.

COSTRUZIONI MECCANICHE INNOVATIVE

Loc. S. Onofrio 6/A - 66034 LANCIANO (CH) - Italy

Tel. (+39) 0872 50221 - Fax (+39) 0872 50231

www.mdb srl.com E-mail - sales@mdb srl.com

Green Climber



DI BIASE **MIDB** S.R.L.

COSTRUZIONI MECCANICHE INNOVATIVE

Green Climber is an innovative machine for the maintenance and cleaning of roadsides. It is equipped with expandable undercarriage tracks and a long range remote control. The tracks can be extended a further 400 mm to gain overall width; this together with its low center of gravity allows you to work along 60° slopes in total safety. These particular tracks allow a good grip on any terrain. Green Climber is virtually unstoppable on any slope whether it's working uphill or downhill.

Green Climber can also be equipped with the following accessories:

- Flail mower to cut along roadsides and grind shrubs up to a 5cm diam.
- Forks to lift loads
- Sweeper to clean yards
- Turbo snow
- Snowplow blade
- Gritter
- Tiller and other tools for agriculture

The rapid attachment system has been designed to perform tilting, side-shifting and lifting movements of the attached accessory.

The expandable undercarriage together with the electronic direction correction system guarantee a good grip on highly rugged terrain. Green Climber is equipped with an automatic cleaning system with a special fan that always keeps the radiator clean.

Advantages of **Green Climber**:

- it only requires a single operator to perform the work of 10 people!
- it is not necessary to block the lane and therefore does not create traffic congestion
- 10 times faster in performance compared to traditional means
- maximum safety: the remote control and the special protection of the mower deck prevent objects being thrown towards the operator;
- agility to avoid obstacles such as trees, roadsigns or other objects



Green Climber allows many movements with the accessory: lifting, tilting and side-shifting.

These movements together with the fork accessory transform Green Climber in a small but efficient forklift.



The remote control mechanism can reach a distance of 300m and controls start/stop engine, acceleration, and all the movements of the accessory. Furthermore it has a self-correcting steering system that, in the case of a steep slope it corrects the normal inclination of the machine towards the descent.



The extendable undercarriage tracks make Green Climber unstoppable on any slope. The tracks can widen up to 200mm per side on the left or on the right if needed, as these commands are separate, for a complete control of the machine.

